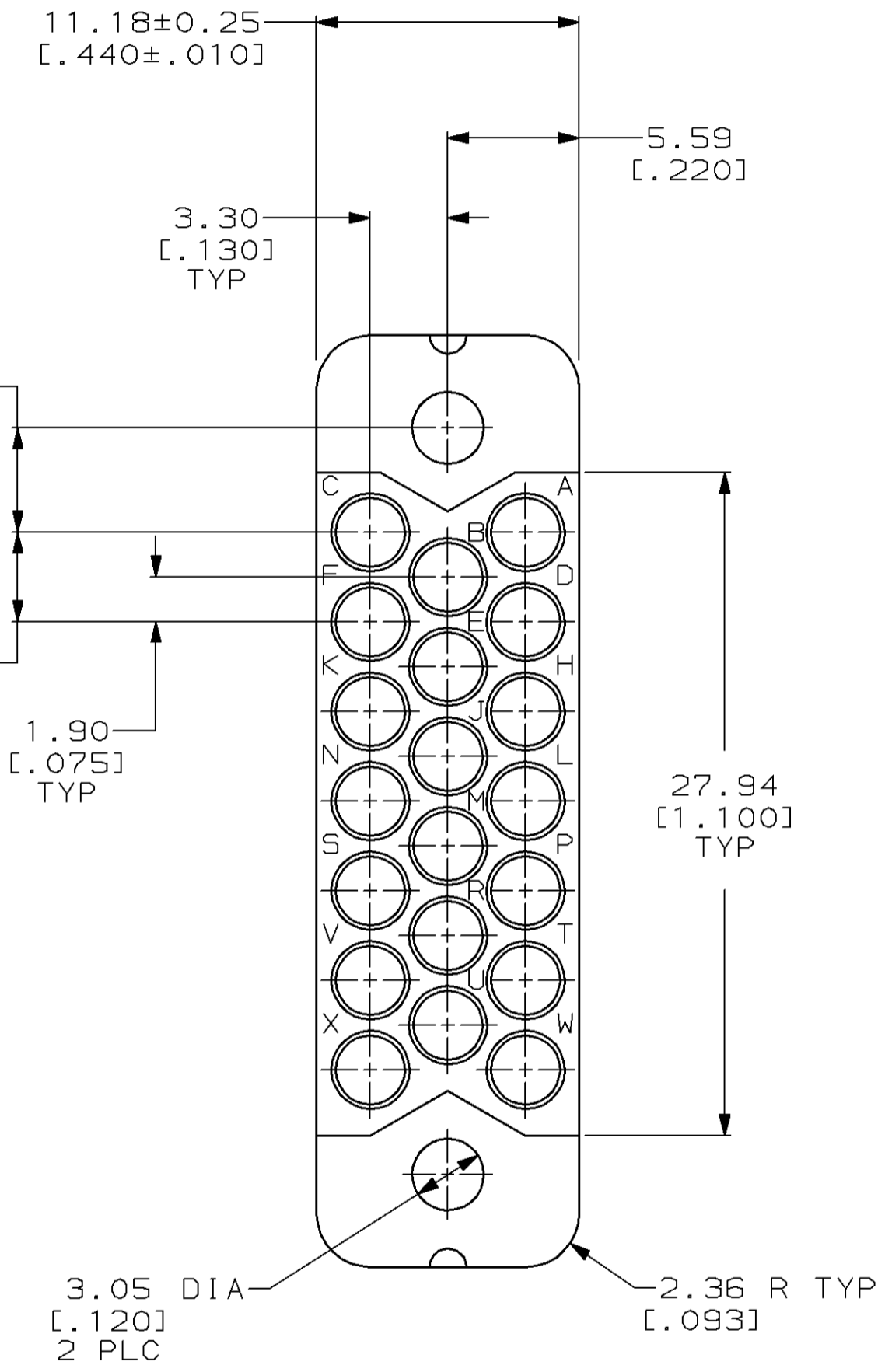
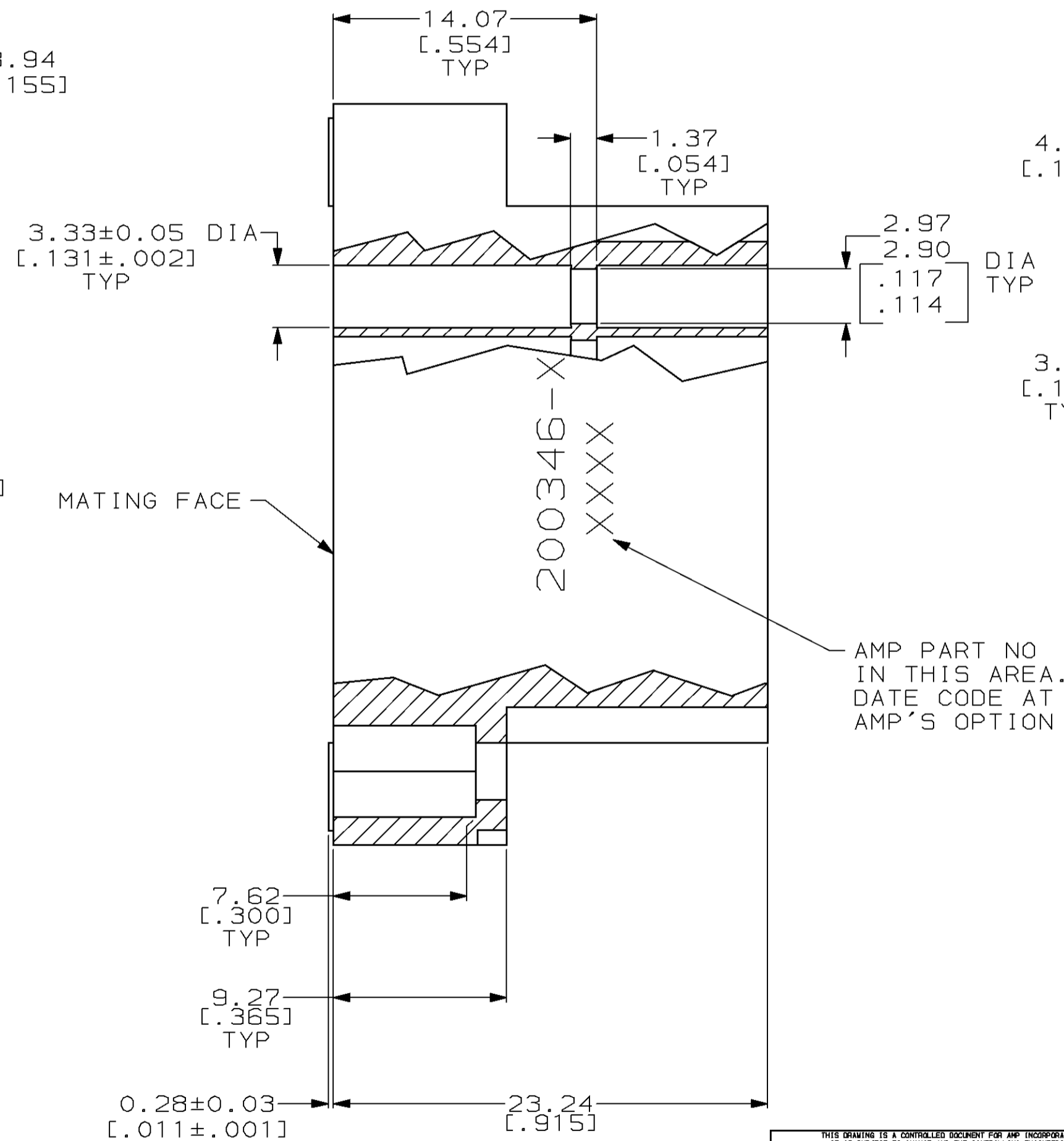
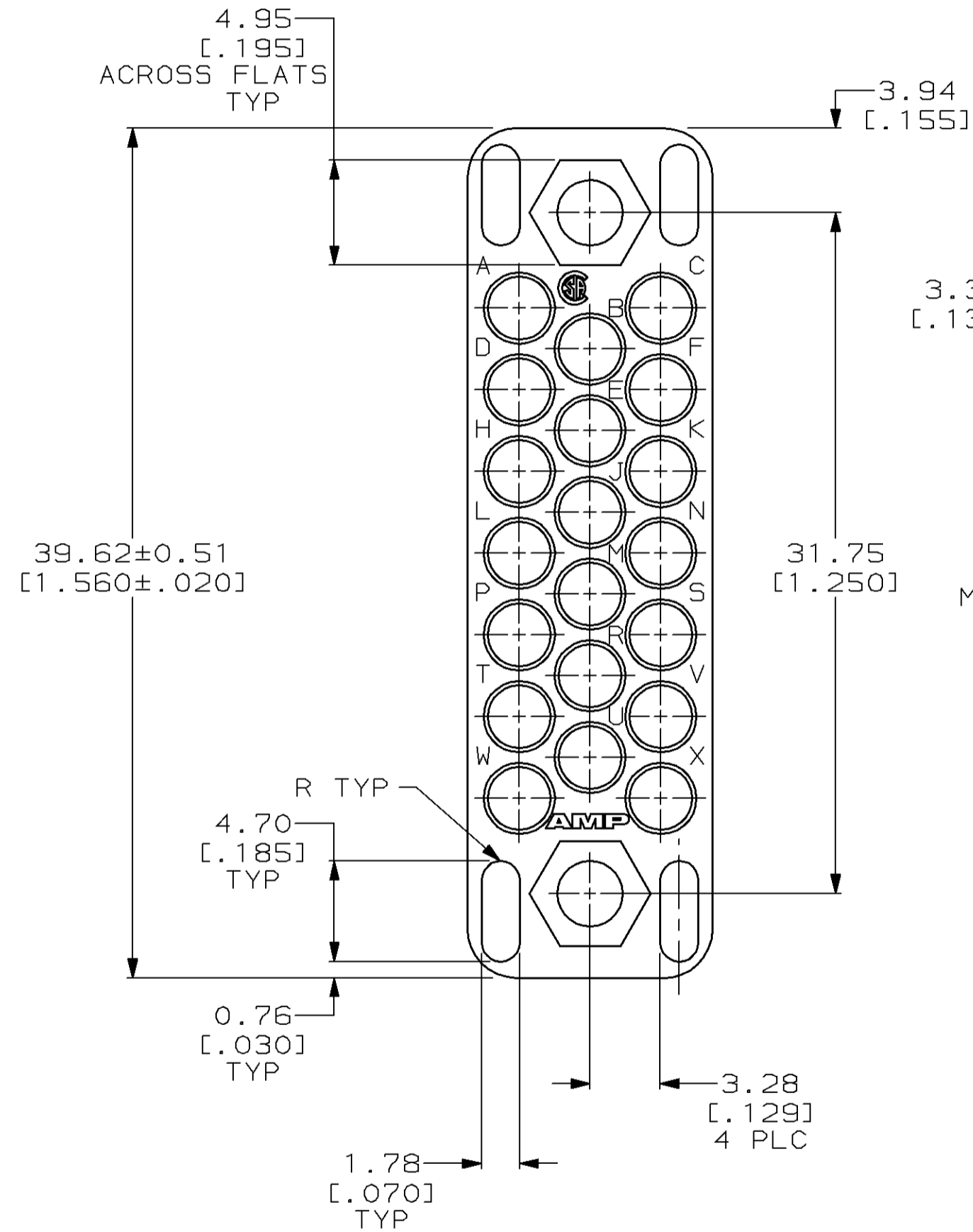
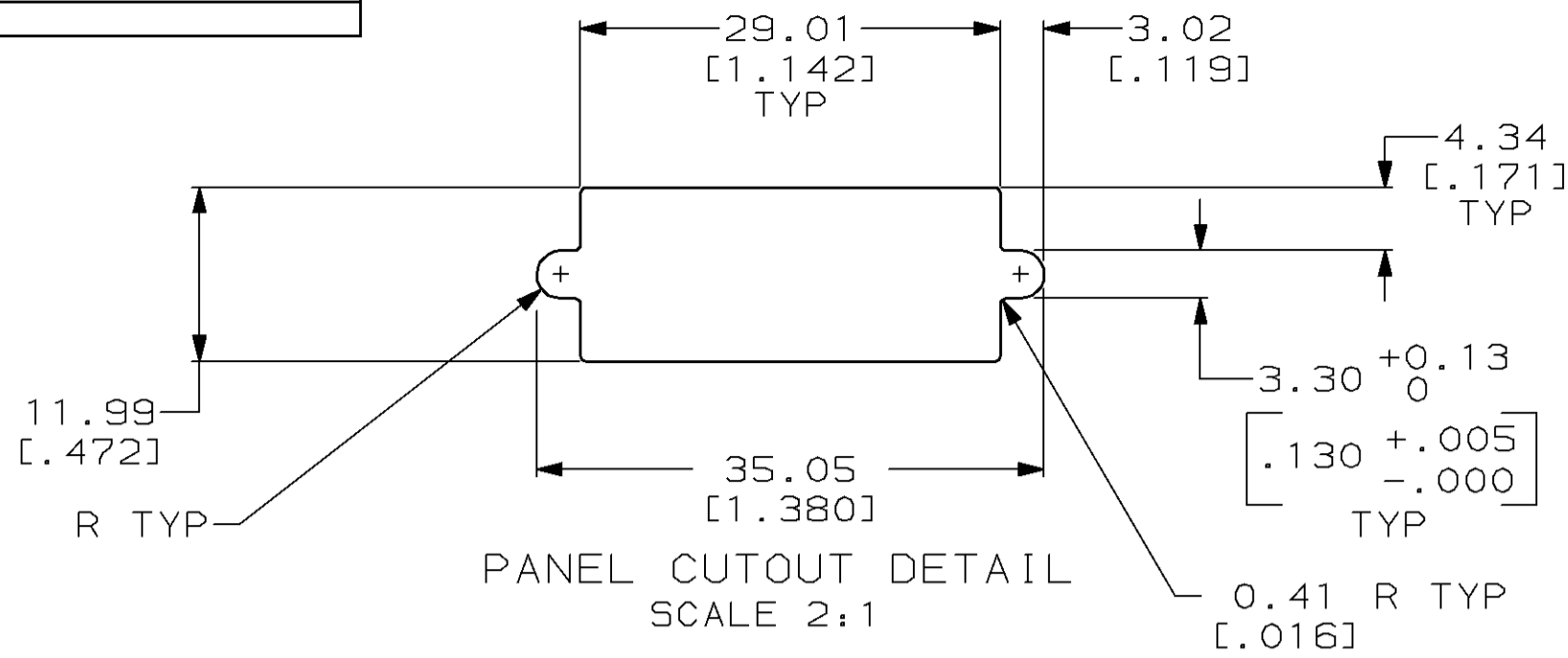


THIS DRAWING IS UNPUBLISHED. RELEASED FOR PUBLICATION
 © COPYRIGHT 19 BY AMP INCORPORATED. ALL RIGHTS RESERVED.

| REVISIONS | | | | | |
|-----------|-----|--|-----------|-----|------|
| P | LTR | DESCRIPTION | DATE | DWN | APVD |
| V | | REDRAWN W/O CHANGE PER EC 0020-1300-96 | 06 DEC 95 | - | - |
| W | | REV PER EC 0320-82-97 | 13 AUG 97 | BC | GS |



- 1 PHENOLIC PER MIL-M-14, TYPE CFG, BLACK.
- 2 DIALLYL PHTHALATE PER MIL-M-14, TYPE SDG-F, BLUE.
- 3. WHEN MATING WITH BLOCK 201356, ACCOMODATES TYPE II, TYPE III+ OR TYPE VI #16 PIN OR SOCKET CONTACTS.

| | |
|----------|-------------|
| 2 | 200346-4 |
| 1 | 200346-2 |
| MATERIAL | PART NUMBER |

| | | | |
|---|--|--|---|
| THIS DRAWING IS A CONTROLLED DOCUMENT FOR AMP INCORPORATED. IT IS SUBJECT TO CHANGE AND THE CONTROLLING ENGINEERING ORGANIZATION SHOULD BE CONTACTED FOR THE LATEST REVISION. | | DWN C. REIFSNYDER 06 DEC 95 | AMP Incorporated Harrisburg, PA 17105-3608 |
| | | CHK R. STONE 27 FEB 96 | |
| DIMENSIONS: mm [INCHES] | | APVD G. A. STEINHAUER 13 MAR 96 | NAME BLOCK, FEMALE, 20 PLACE MINIATURE RECTANGULAR, M SERIES |
| TOLERANCES UNLESS OTHERWISE SPECIFIED: 0 PLC ±- 1 PLC ±- 2 PLC ±0.13 [.005] 3 PLC ±- 4 PLC ±- ANGLES ±- FINISH - | | PRODUCT SPEC - APPLICATION SPEC - | |
| MATERIAL SEE TABLE | | WEIGHT - | SIZE A2 |
| | | CUSTOMER DRAWING | CAGE CODE 00779 |
| | | | DRAWING NO C-200346 |
| | | | SCALE 4:1 |
| | | | SHEET 1 OF 1 |
| | | | REV W |